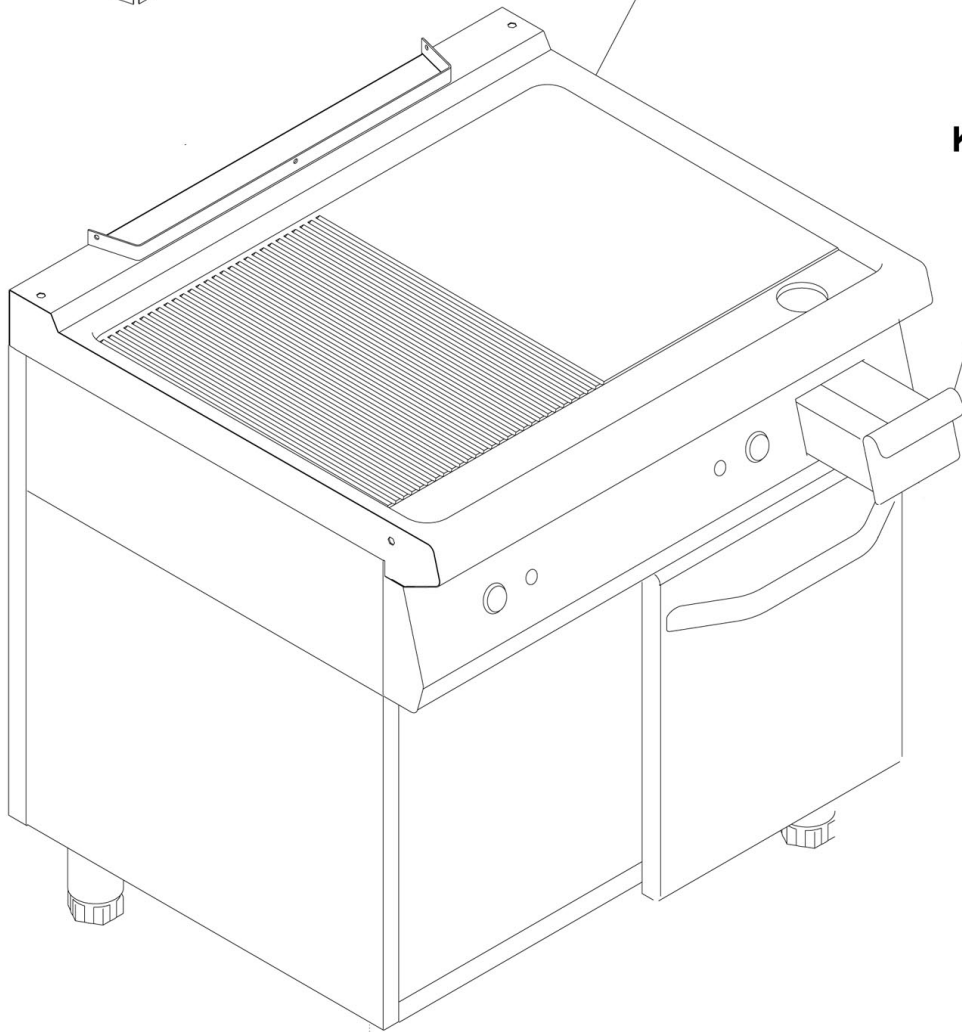
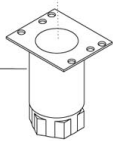


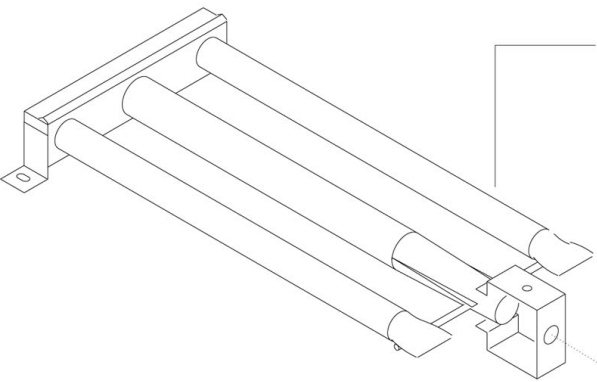
**K00207** (2855061)  
**K00208** (2855071)  
**K00205** (2855081)  
**K00206** (2855051)



**K00188**  
(2855061)  
(2855071)  
(2855081)  
(2855051)

**K26234**





**K26112**

COD.	Φ	GAS
<b>K22022</b>	30	G30/31 28..37mbar G30/31 50mbar
<b>K22133</b>	51	G20 20mbar G20 25mbar G25 20mbar G25 25mbar G25.1 25mbar

COD.	Φ	GAS
<b>K22114</b>	130	G30/31 28..37mbar
<b>K22108</b>	110	G30/31 50mbar
<b>K22103</b>	195	G20 20mbar
<b>K22110</b>	180	G20 25mbar
<b>K22105</b>	215	G25 20mbar
<b>K22144</b>	200	G25 25mbar
<b>K22116</b>	210	G25.1 25mbar

**K26113**

**K22189** (2855061)  
(2855071)

**K22016** (2855051)  
(2855081)

**K26021**

**K22000**

**K22023**

**K22196**

**K22019**

**K22002**

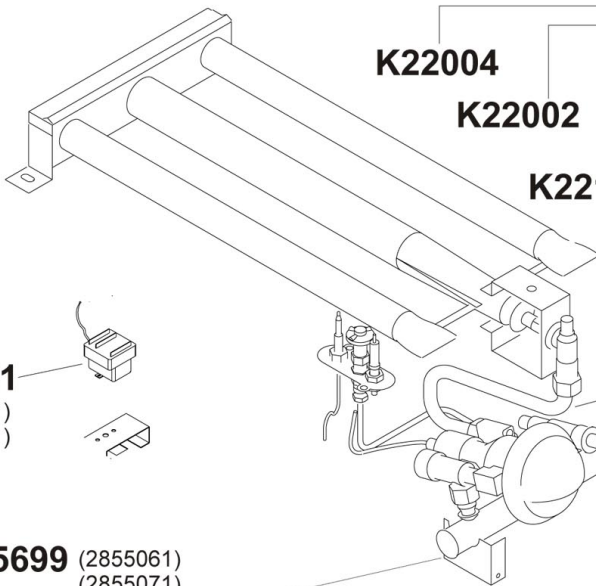
**K22003**

**K22005**

**K22004**

**K25815**

**K25814**



**K22004**

**K22002**

**K22002**

**K22188**

**K22004**

**K25815**

**K22005**

**K22003**

**K25113**

**K24000**

**K24003**

**K24041**  
(2855061)  
(2855071)

**K25699** (2855061)  
(2855071)

**K25820** (2855051)  
(2855081)

COD.	Φ	GAS
<b>K22225</b>	90	G30/31 28..37mbar
<b>K22217</b>	75	G30/31 50mbar
<b>K22220</b>	125	G20 20mbar G20 25mbar G25 20mbar G25 25mbar G25.1 25mbar

