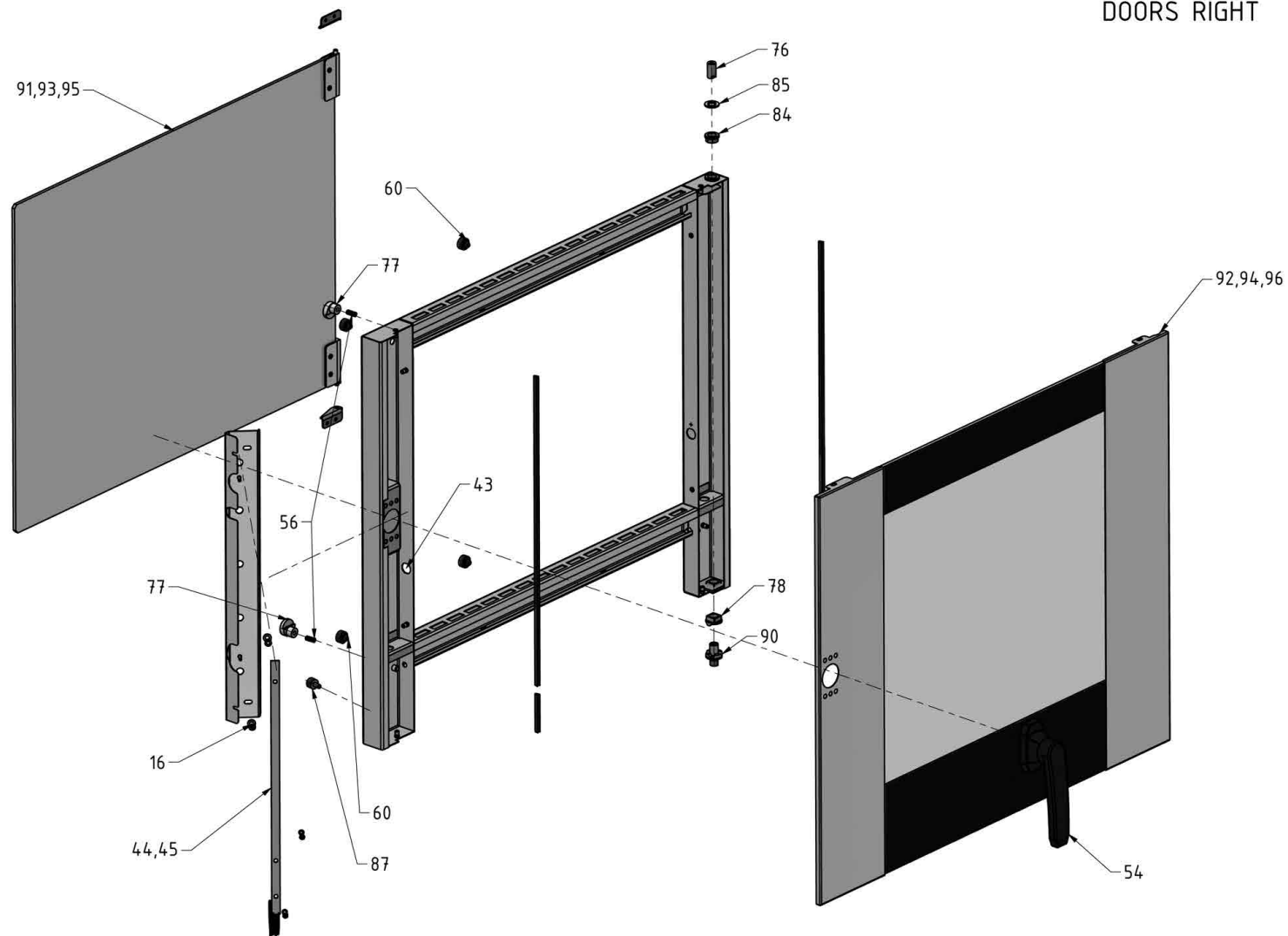
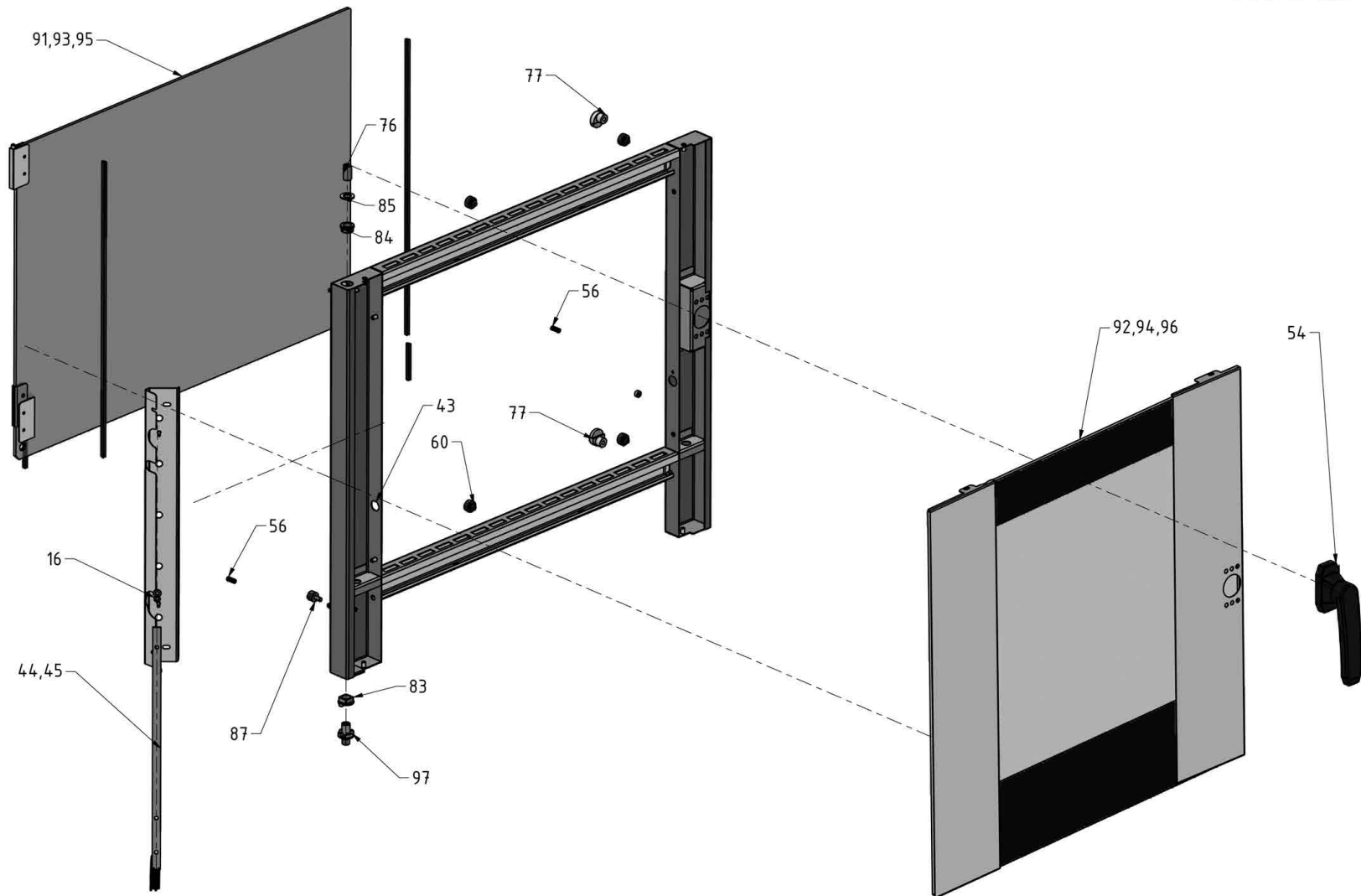


DOORS RIGHT



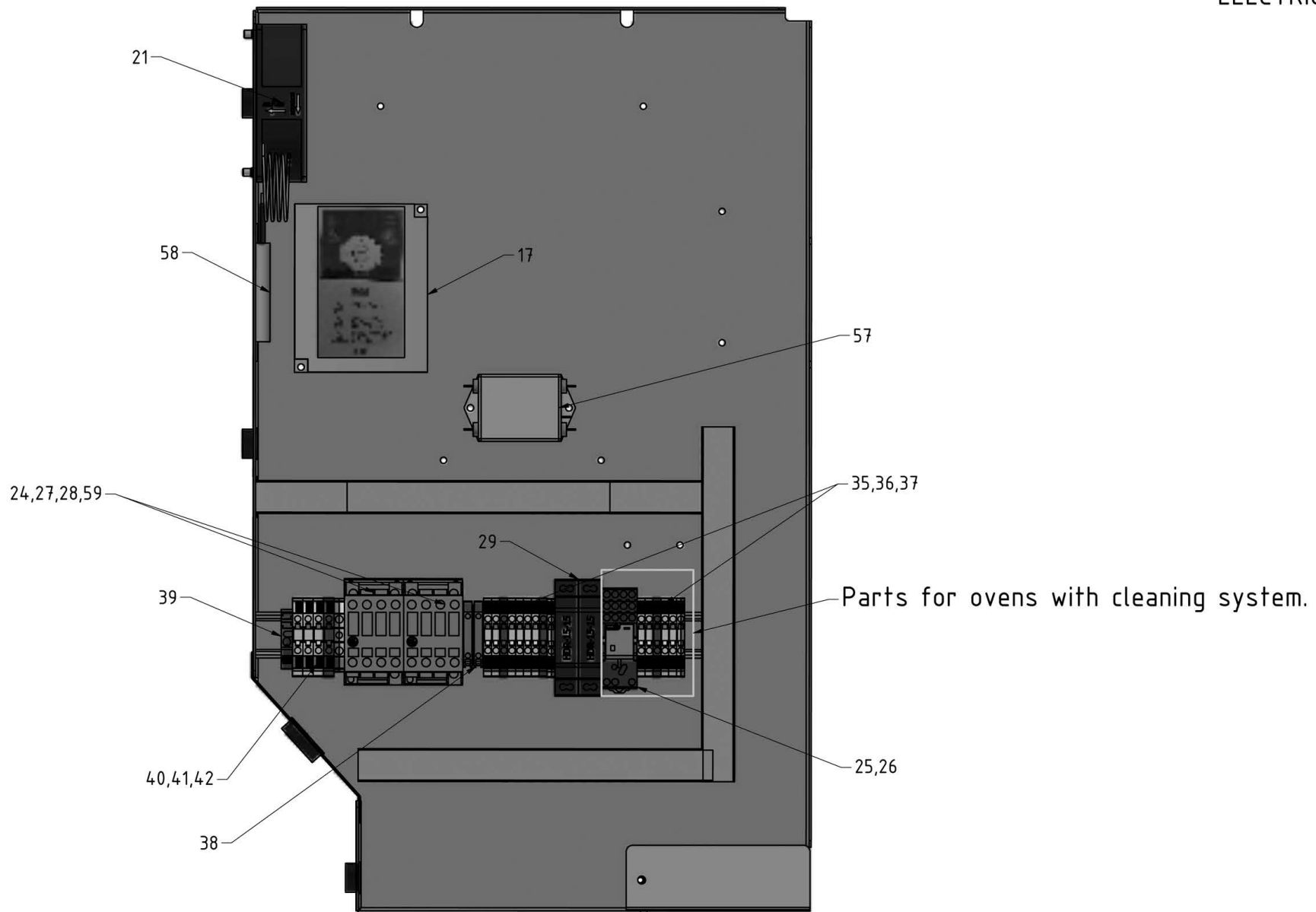
NOTE:  
Position 78 needs to be cut out of the door  
in case of replacement.

DOORS LEFT

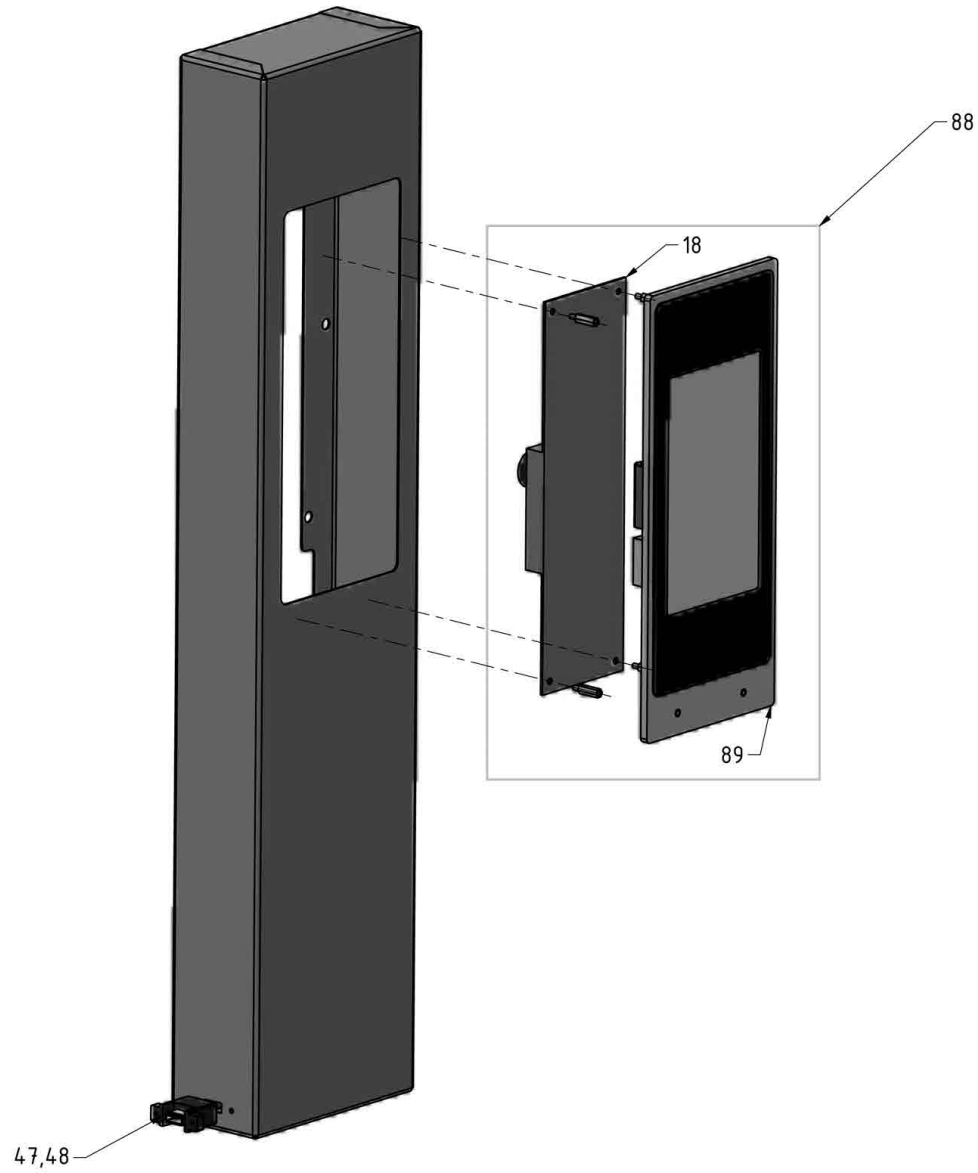


NOTE:  
Position 83 needs to be cut out of the door  
in case of replacement.

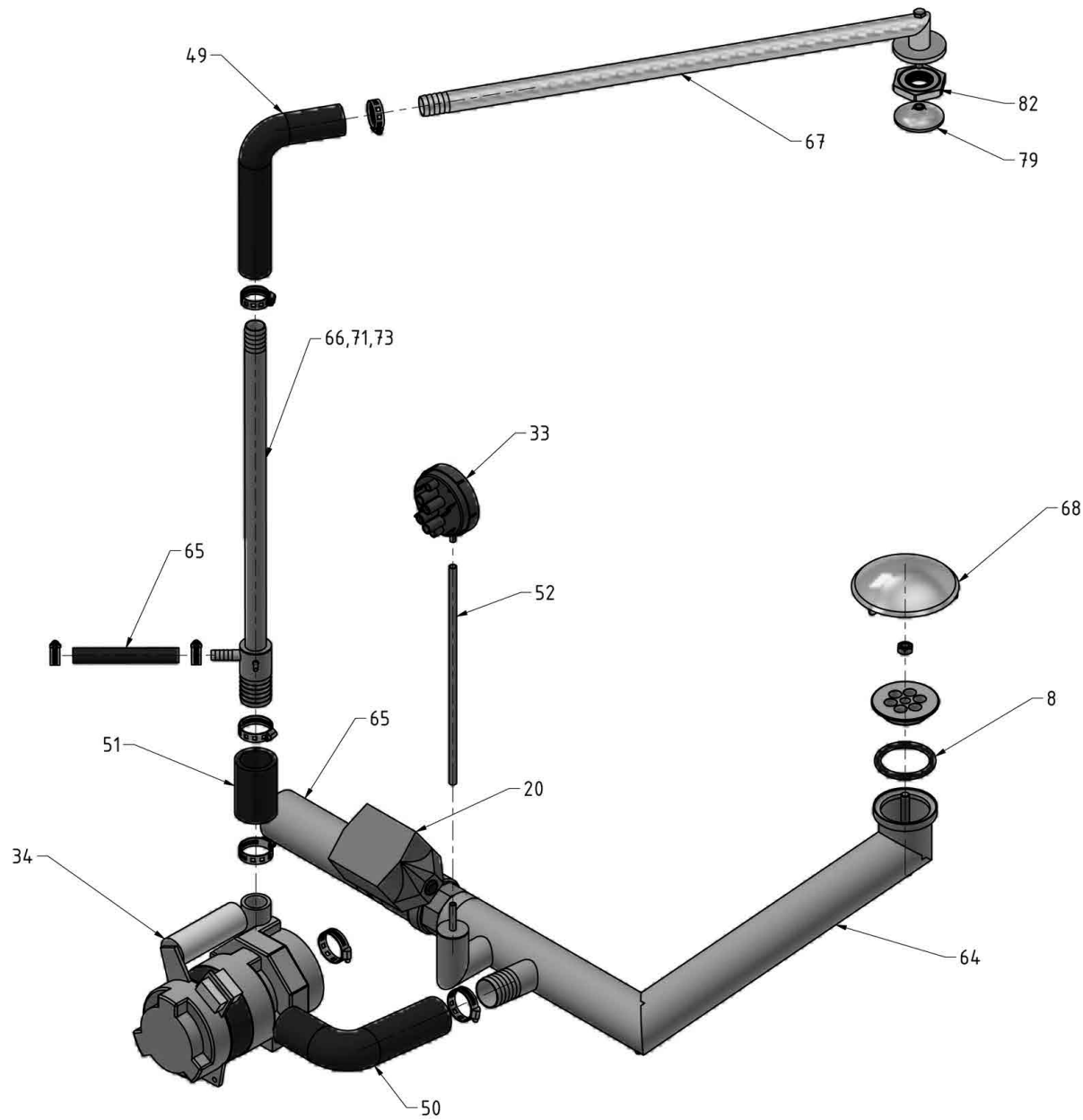
ELECTRIC PLATE



CONTROL PANEL



CLEANING SYSTEM



Pos.	Artikelbeschreibung	Description of item	Artikel Nr./Item No.
003	Heizgerät, 230V/9,55kW	Heater CG8,382"3OL" _230V/9,55kW	E0110033
004	Sicherheitsthermostat 315 C	Safety thermostat 315 C	E0210008
007	Dichtung	Gasket for chimney 100x88	E0307036
009	Dichtung	Door gasket OC-B-10	E0310010
010	Dichtung	Axis sealing HTB, Fi-17x24/30x4,14 D77	E0310012
013	Thermosicherungsdichtung fi10xfi14	Thermal fuse sealing OC fi10xfi14	E0310020
014	Dichtung	Probe sealing OC fi8xfi14	E0310021
015	Dichtung	Sealing fi5xfi10	E0310022
016	Dichtung	Sealing o-ring fi15x3 OC-B	E0310023
017	Steuergerät Vector 0,8kW, 230V	Controller Vector 0,8kW, 230V	E0410012
021	Lüfter	Fan,120x120x38 _230V	E0510022
022	Motor L7_EB60	Motor L7_EB60	E0510023
023	Lüfter	Fan 1.0 VR TK350-082-06	E0610008
024	Schütz CL03 12kW	Contactoer CL03 12kW	E0700002
029	Transformatoer, MW HDR-15-15	Transformer, power supply	E0910010
030	Temp.fühler (260 C), L=1,7 m	Temp.probe (260 C), L=1,7 m	E01010006
031	Elektromagnetisches Ventil 90	Electromagnetic valve 90	E01106020
045	Leuchte LED	Light LED OC-B-08	E01510014
046	Türschalter, MS 362A-01	Door switch, MS 362A-01	E01605044
054	Türgriff MOD 1635	Door handle MOD 1635	E02310018
055	Türöffner SLO42	Door strike SLO42	E02310019
088	Elektronische SteuerungControl BA	Electronic controller S-Control	E09910077
089	Frontplatte - ETP18822 BA	Front panel - ETP18822 BA	E09910099

