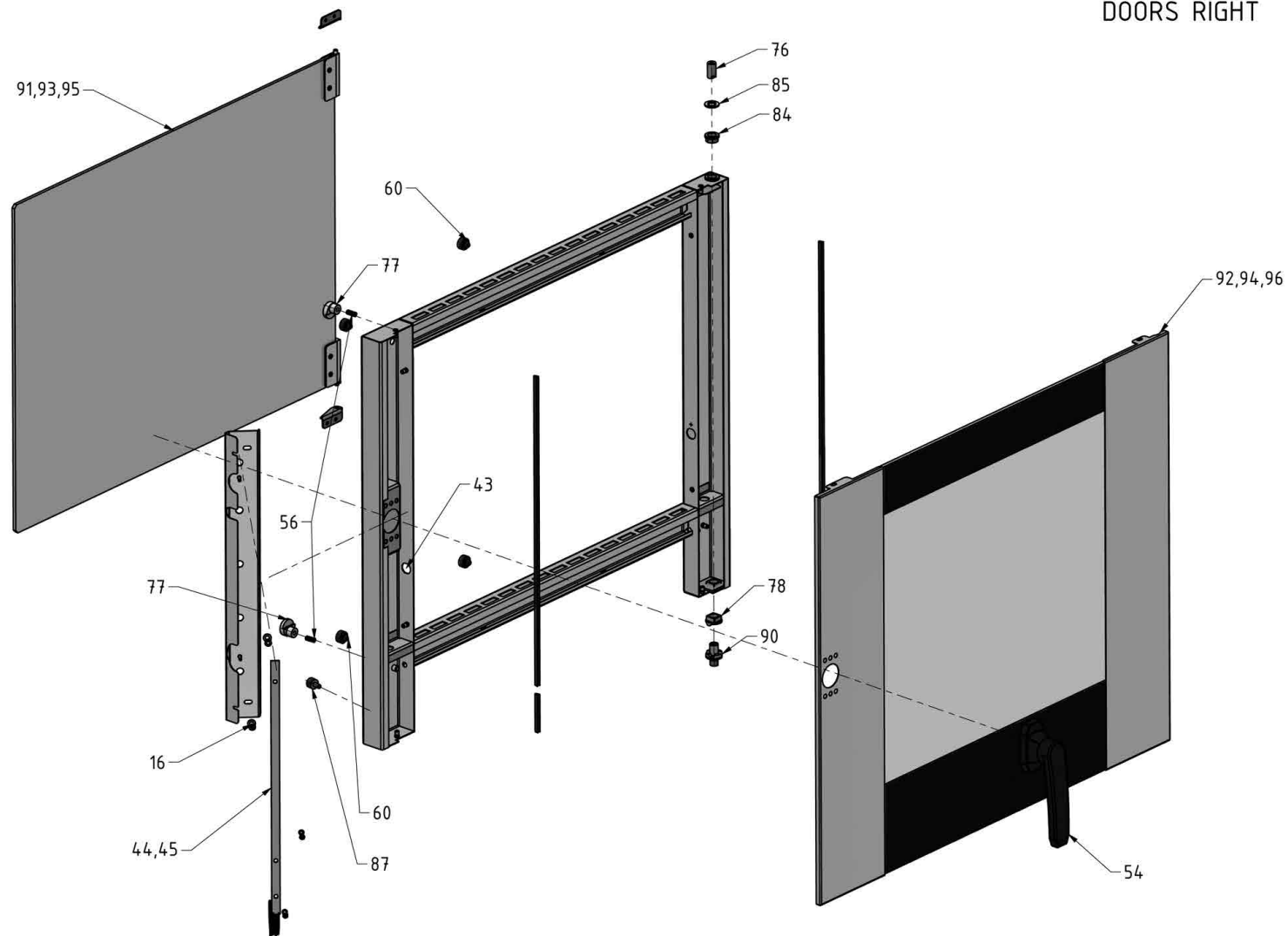
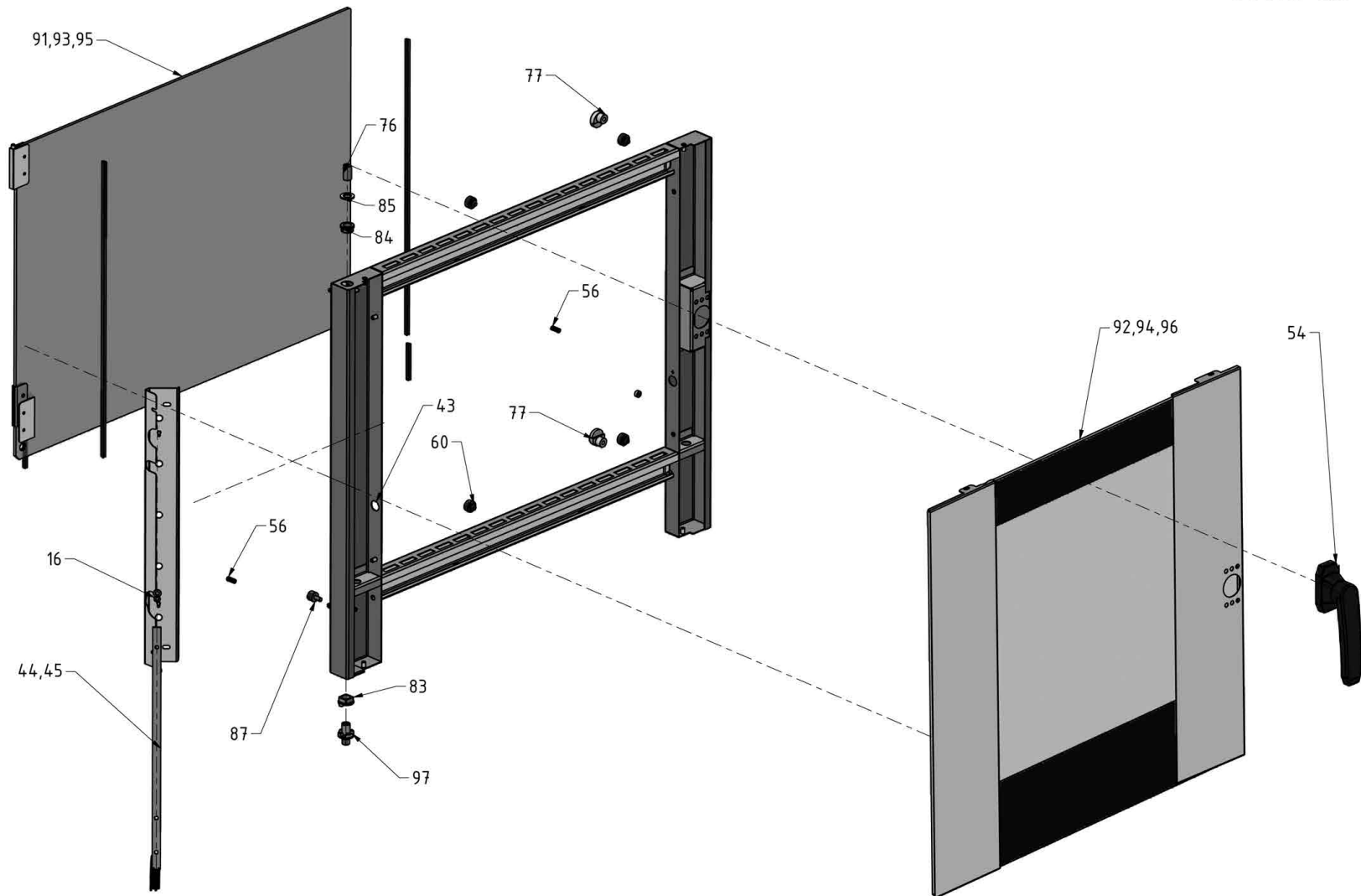


DOORS RIGHT



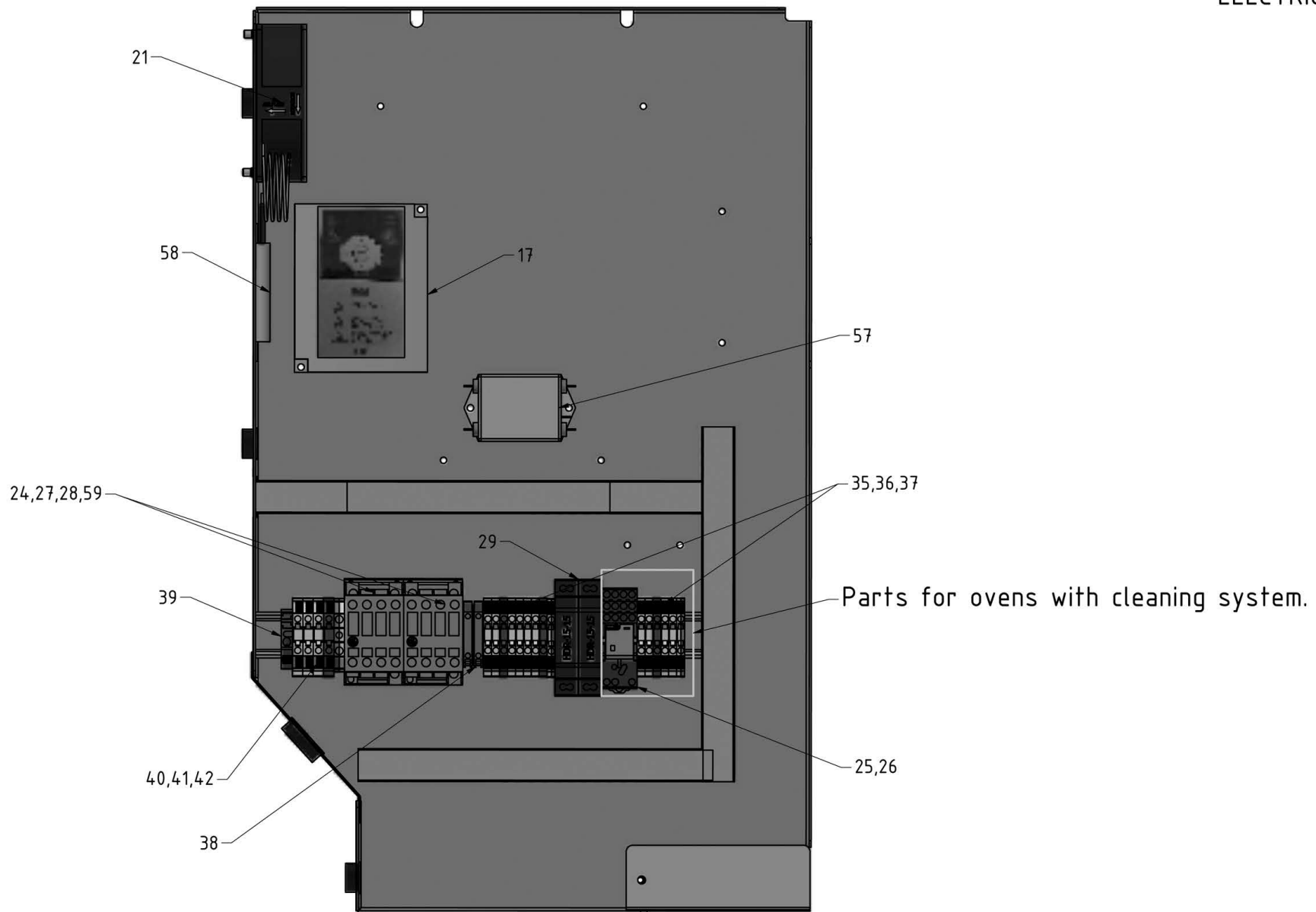
NOTE:
Position 78 needs to be cut out of the door
in case of replacement.

DOORS LEFT

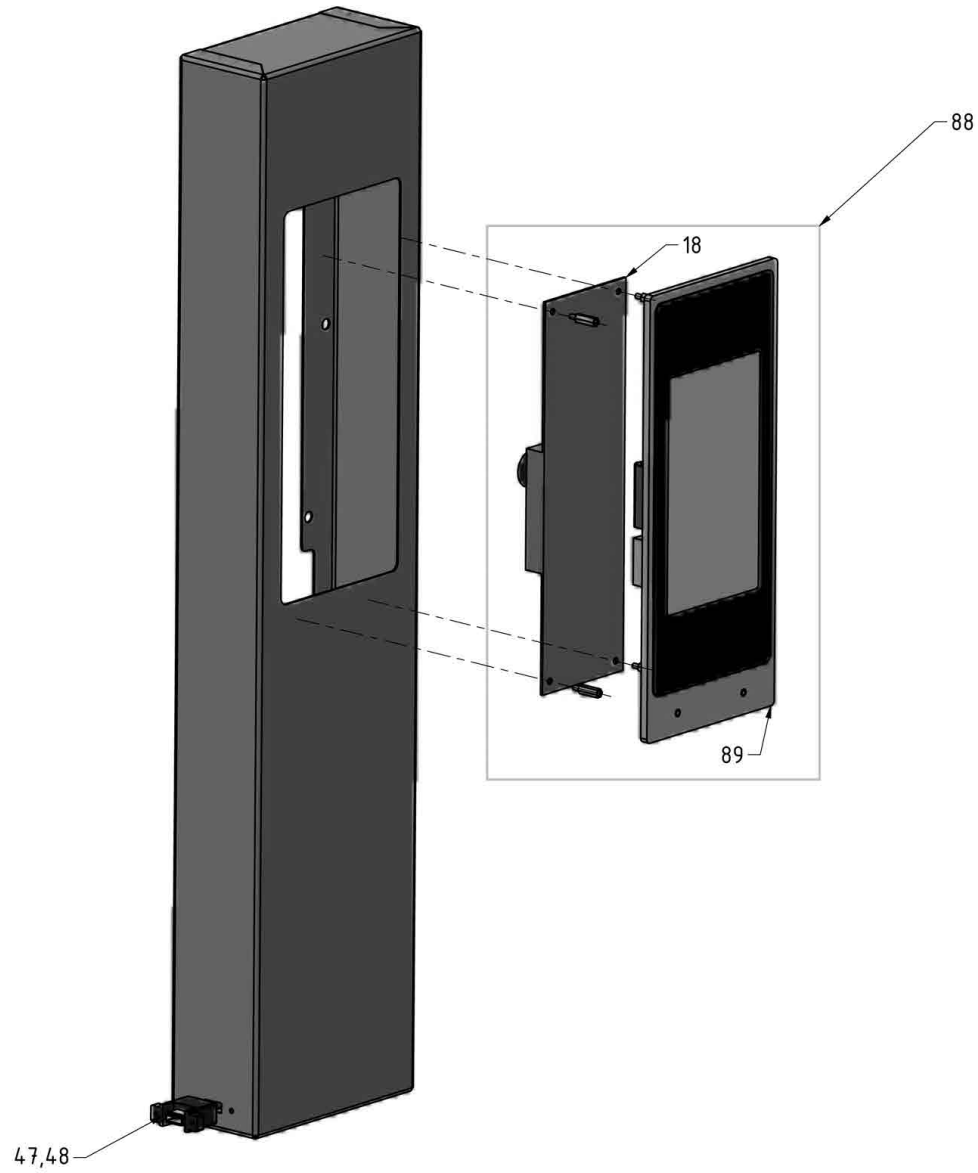


NOTE:
Position 83 needs to be cut out of the door
in case of replacement.

ELECTRIC PLATE



CONTROL PANEL



CLEANING SYSTEM

